



Architectural Masonry Products

A range of standard and bespoke products
for todays building industry



Cambridge Architectural Stone

Cambridge Architectural Stone Cast Stone Dressings are manufactured from high grade limestone and sandstone aggregates that have been selected for their proven performance and reliable quality. The cement, pigments and waterproofing agents all conform to their appropriate British or European Standard.

Cast Stone is a highly redefined architectural precast concrete building stone. It is made from a mixture of White and Grey Portland cements, combined with coarse and fine aggregates of limestone. Manufacture standard is to BS1217.

This combination of materials is then used in two different production methods, Dry Cast and Wet Cast. Dry Cast is produced when the material is semi-dry and multiple units can be taken from a single mould during the day, creating larger production runs resulting in competitive costs for each unit.

Wet cast is produced when the material is wet and single units produced each day from single moulds. Production runs are lower and as such costs are higher. However due to the material being wet, units are more dense than Dry Cast and the strength is doubled, cutting down dramatically on transport and handling damage.

Using steel reinforcement Wet Cast units can also be used as structural items replacing the need and cost of steel lintels on site.

Surface Protection

During production we can also add a surface protector which does not allow any contaminants to enter the pores/capillaries of the treated surface. This ensures no stains can occur and any residues are easily and economically removed.

Please contact us for more information.

Heath Building Group

Cambridge Architectural Stone is part of the larger Heath Building Group which is made up of four sister companies based at St Ives, Cambridgeshire.

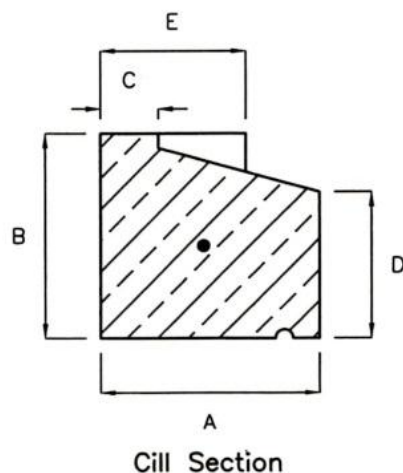
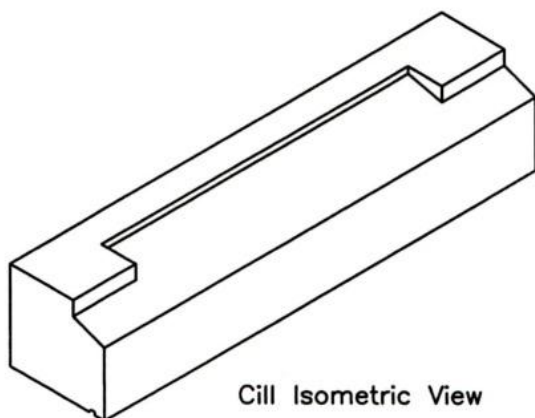
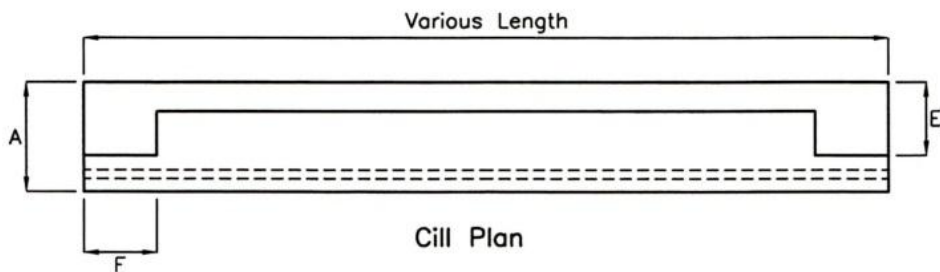
The group consists of the following:

Brick Game – Stockists of over 150 different types of bricks. Free brick matching service.

Angles & Arches – In-house brick cutters manufacturing brick specials and arches.

Cambridge Building Innovations – Dealing with sustainable and eco-friendly products. Cambridge Building Innovations are at the forefront of discovering new and innovative products which will help specifiers comply with the code for sustainable homes.

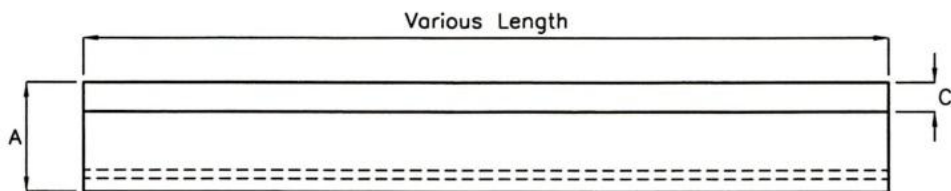
Standard Stooled Cill



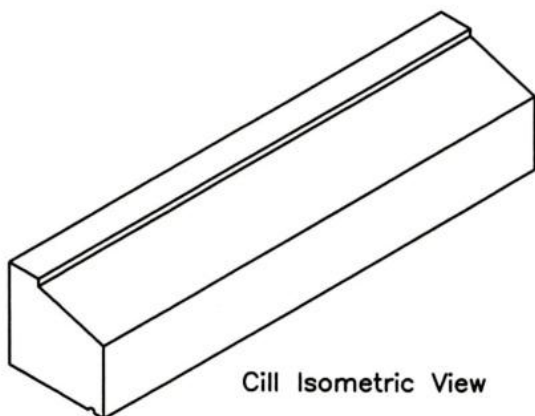
STANDARD CILL DIMENSIONS ARE SHOWN BELOW (MM)

Type Ref	A	B	C	D	E	F
CAS ST02	150	140	40	100	100	100
CAS ST04	150	65	40	45	100	100
CAS ST05	170	140	40	100	120	100

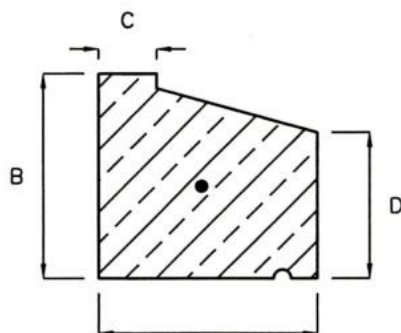
Standard Slip Cill



Cill Plan



Cill Isometric View

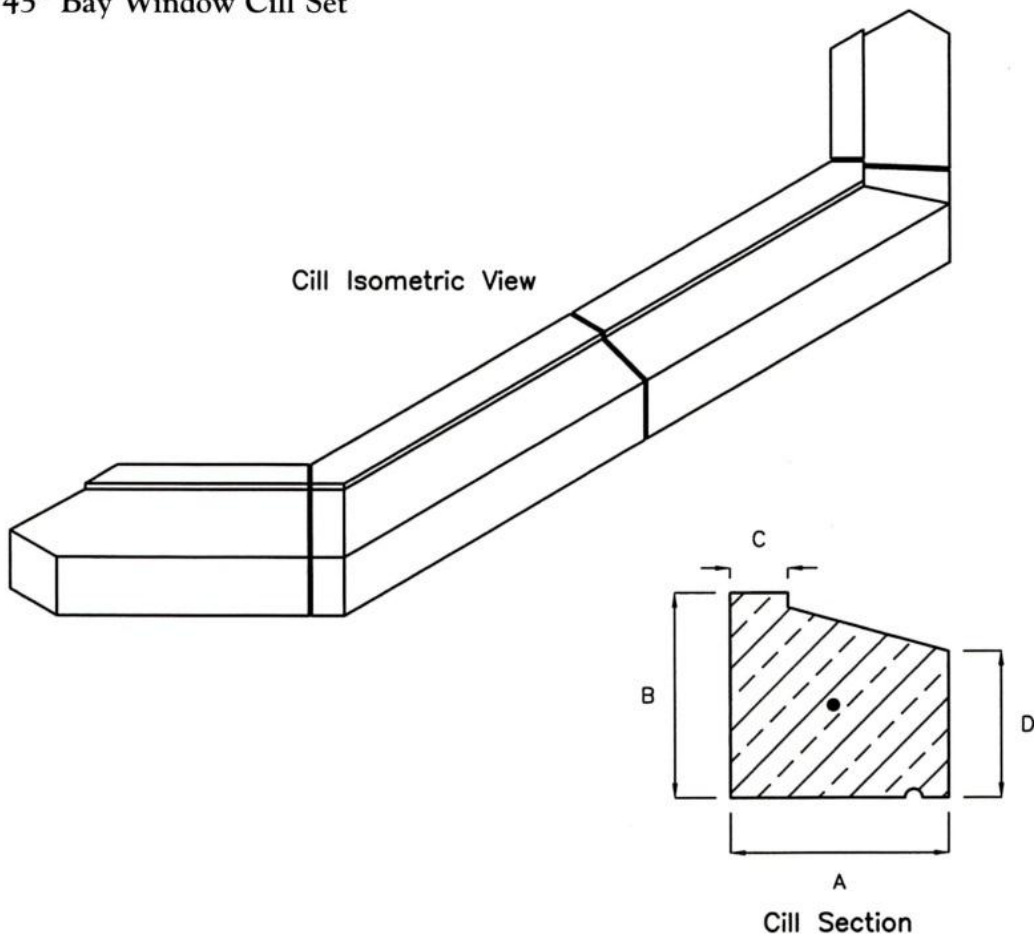


Cill Section

STANDARD CILL DIMENSIONS ARE SHOWN BELOW (MM)

Type Ref	A	B	C	D	E	F
CAS SL02	150	140	40	100	N/A	N/A
CAS SL04	150	65	40	45	N/A	N/A
CAS SL05	170	140	40	100	N/A	N/A

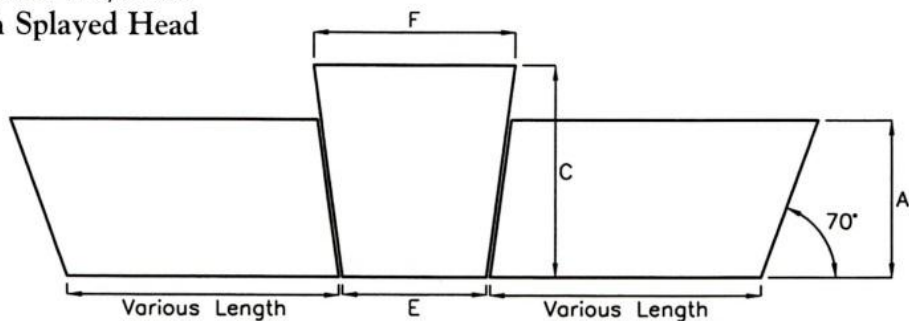
45° Bay Window Cill Set



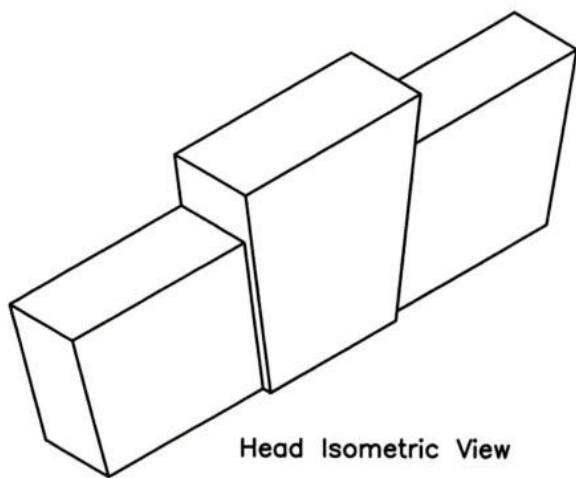
STANDARD CILL DIMENSIONS ARE SHOWN BELOW (MM)

Type Ref	A	B	C	D	E	F
CAS BC01	150	140	40	100	N/A	N/A
CAS BC02	150	65	40	45	N/A	N/A
CAS BC03	170	140	40	100	N/A	N/A

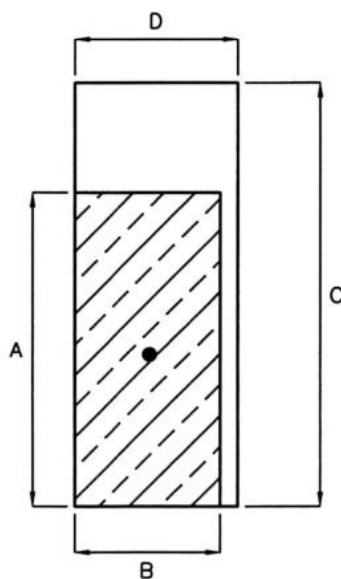
Standard Keystone With Splayed Head



Head Elevation



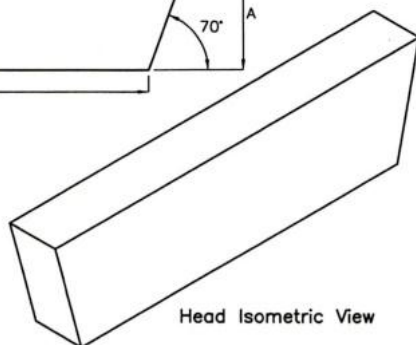
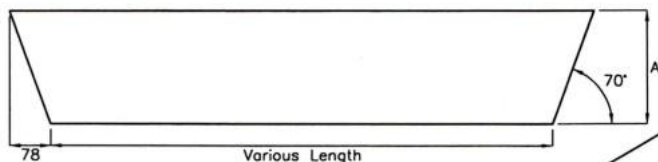
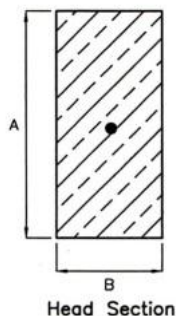
Head Isometric View



HEAD DIMENSIONS ARE SHOWN BELOW (MM)

Type Ref	A	B	C	D	E	F
CAS HK02	215	100	290	112	200	280

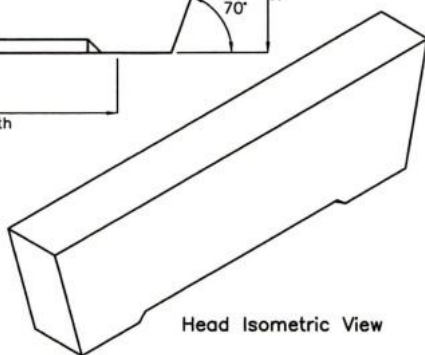
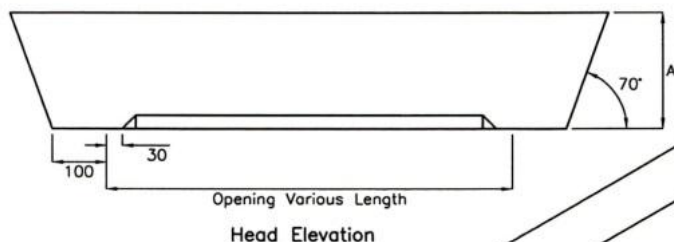
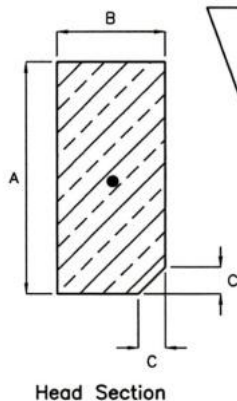
Splayed Head



HEAD DIMENSIONS ARE SHOWN BELOW (MM)

Type Ref	A	B	C	D	E	F
CAS PH01	215	100	N/A	N/A	N/A	N/A
CAS PH02	140	100	N/A	N/A	N/A	N/A

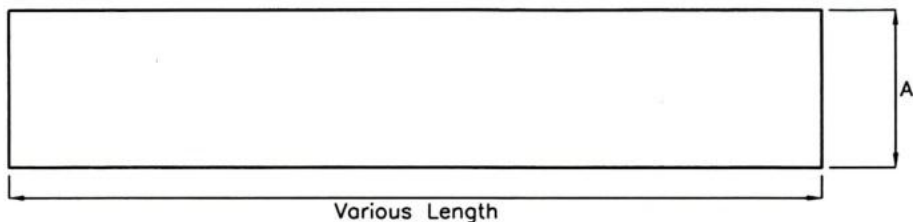
Splayed End Chamfered Head



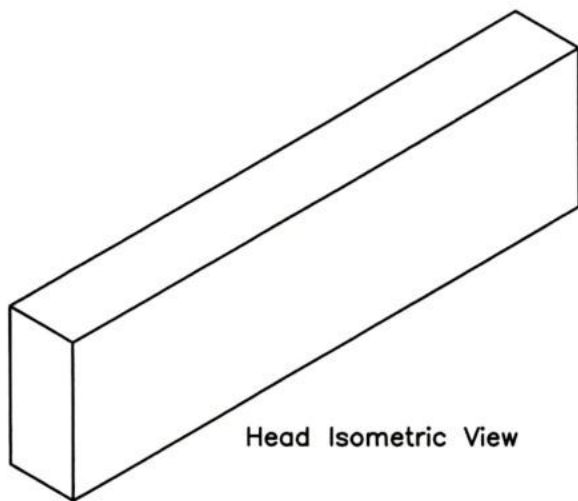
HEAD DIMENSIONS ARE SHOWN BELOW (MM)

Type Ref	A	B	C	D	E	F
CAS PCH01	215	100	25	N/A	N/A	N/A
CAS PCH02	140	100	25	N/A	N/A	N/A

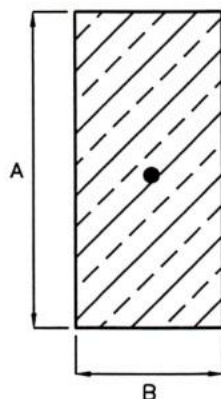
Square Head



Head Elevation



Head Isometric View

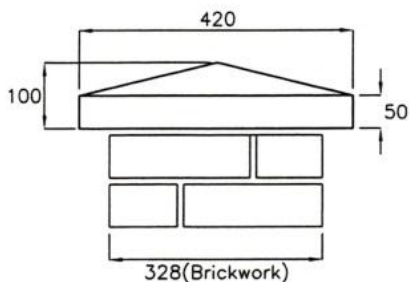


Head Section

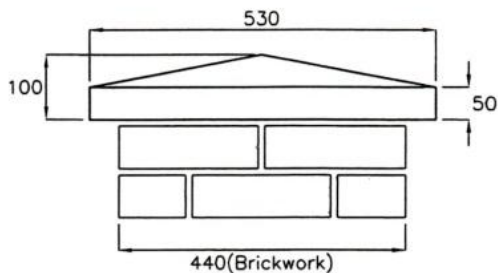
STANDARD CILL DIMENSIONS ARE SHOWN BELOW (MM)

Type Ref	A	B	C	D	E	F
CAS SQH01	215	100	N/A	N/A	N/A	N/A
CAS SQH02	140	100	N/A	N/A	N/A	N/A

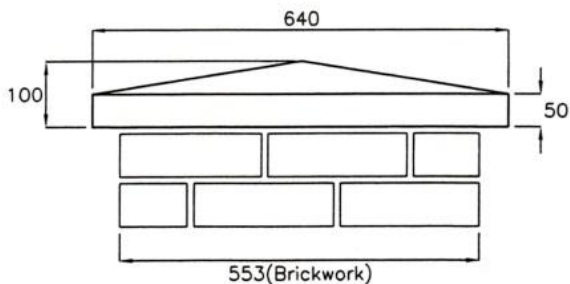
Plain Pier Caps



CAS PC 01



CAS PC 02

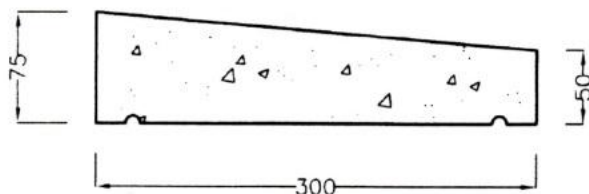


CAS PC 03

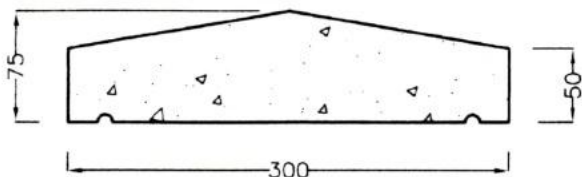
PIER CAP DIMENSIONS ARE SHOWN ABOVE (MM)

CAS C1 Coping Stone

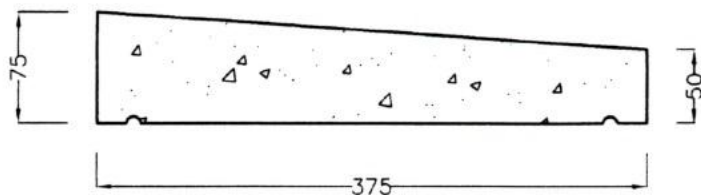
Coping Stones are generally 600mm in length. Bespoke sizes can be produced on request. Various other sizes are available



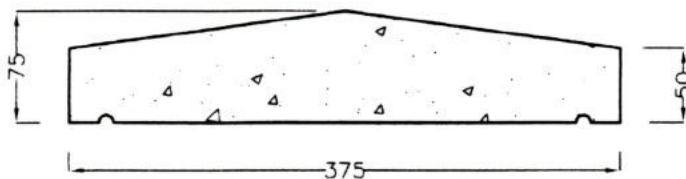
COPING E1A PROFILE



COPING E1B PROFILE



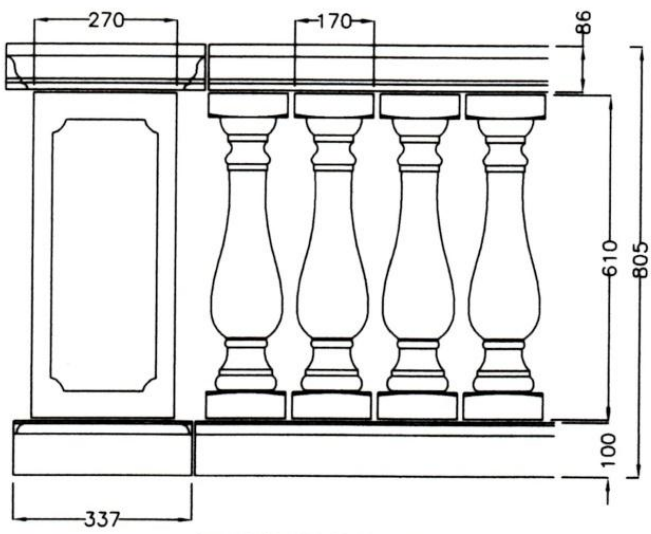
COPING E1C PROFILE



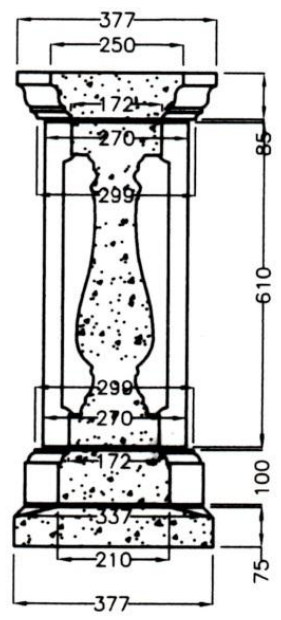
COPING E1D PROFILE

COPING STONE DIMENSIONS ARE SHOWN ABOVE (MM)

CAS B1 Balustrade Wet Cast



BALUSTRADE ELEVATION

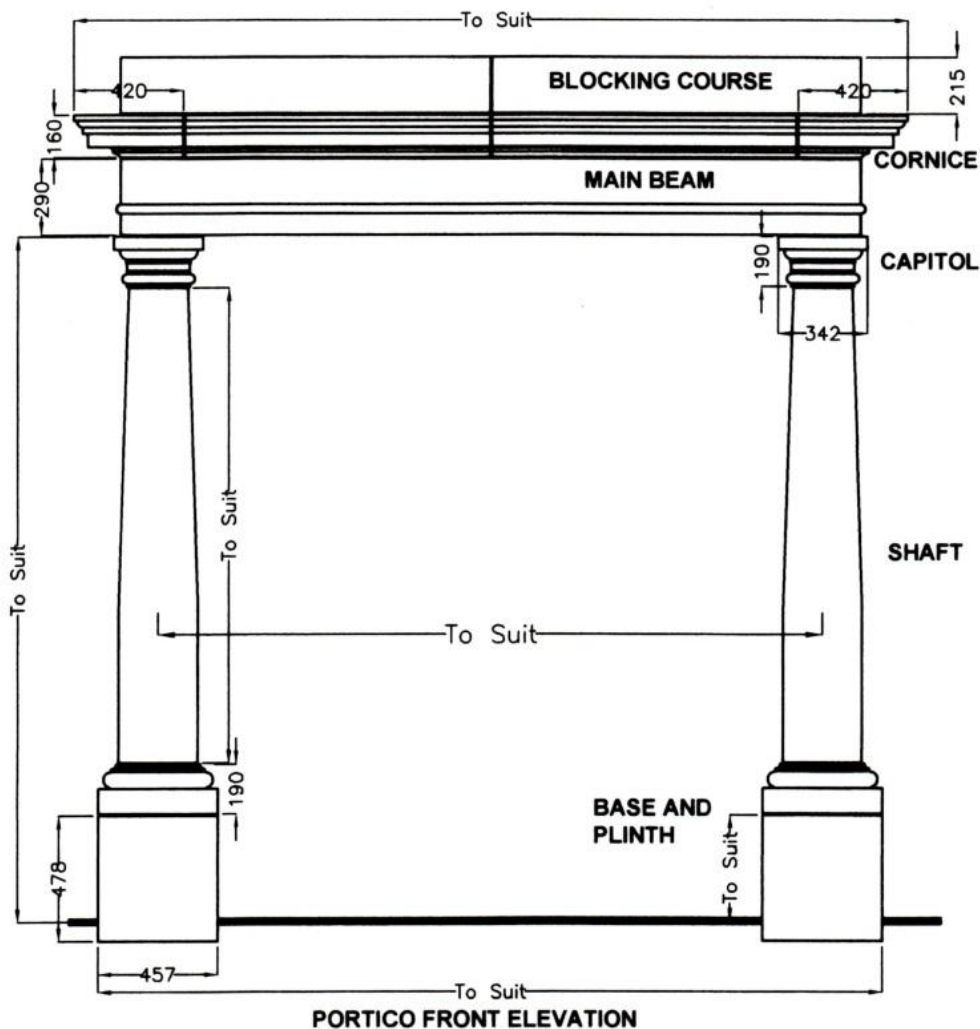


BALUSTRADE SECTION

BALUSTRADE DIMENSIONS ARE SHOWN ABOVE (MM)

CAS P1 Portico Wet Cast Design

Porticos will be designed to work to site dimensions



PORTICO DIMENSIONS ARE SHOWN ABOVE (MM)

Heath Building Group

Brick Game Ltd ♦ Cambridge Architectural Stone ♦ Cambridge Building Innovations ♦ Angles & Arches

Heath Building Group

Heath Farm
Somersham Road
Woodhurst
Cambridgeshire
PE28 3BP

t: 01480 468202

e: enquiries@heathbuildinggroup.co.uk

w: heathbuildinggroup.co.uk